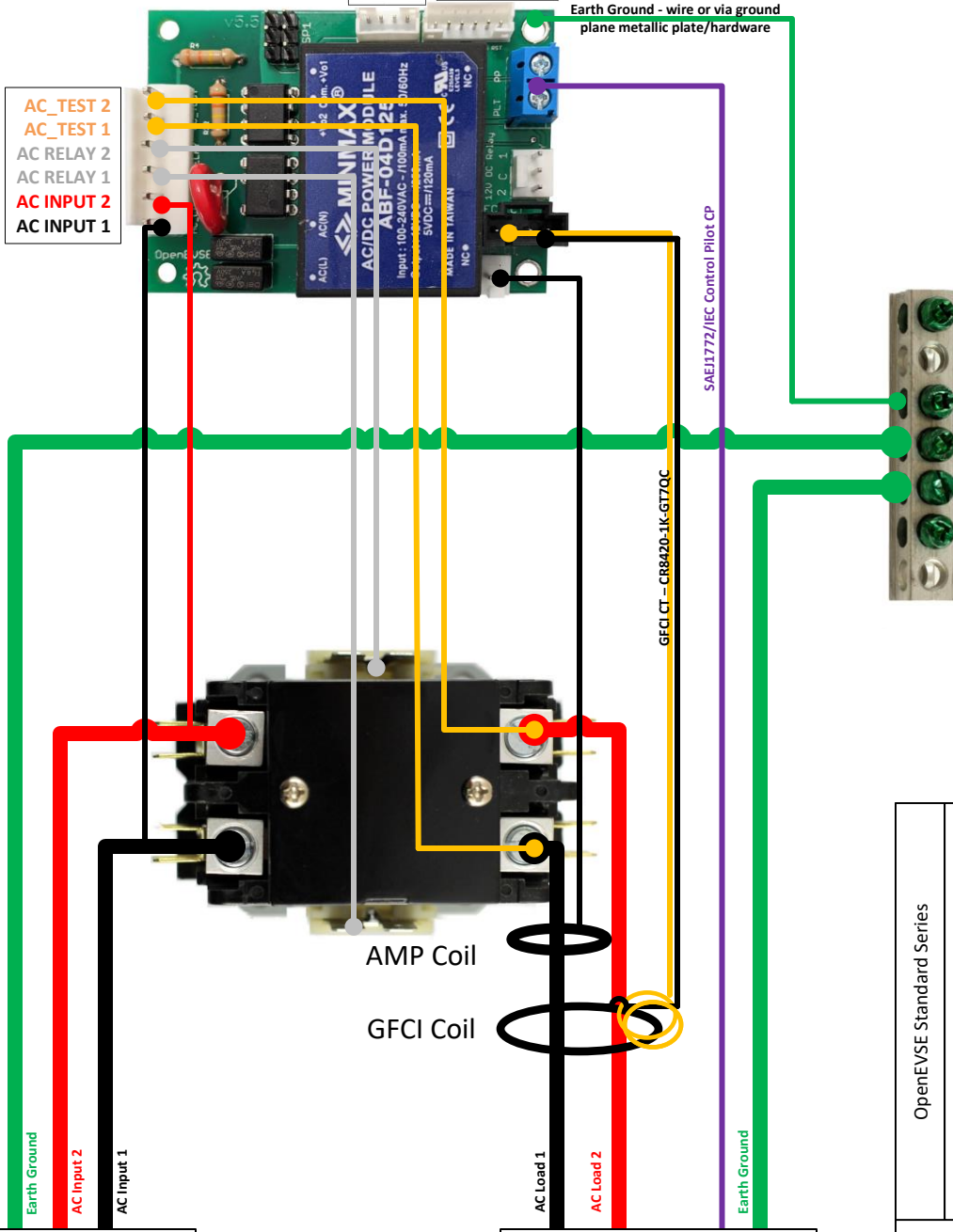
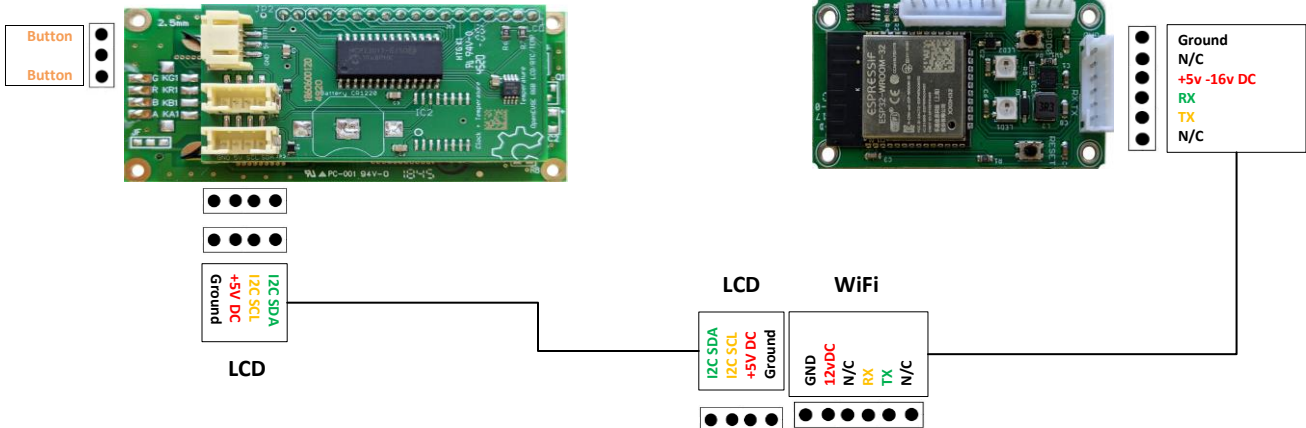


OpenEVSE



AC Input 208 – 264v AC
50 or 60Hz

EV Output
SAE J1772/IEC Type 1
IEC Type 2 Single Phase

OpenEVSE Standard Series	
Electric Vehicle Charging Station	
SIZE	REV
OpenEVSE LLC	20230602
CC SA BY 4.0	1
SCALE 1 : 1	SHEET 1 OF 1